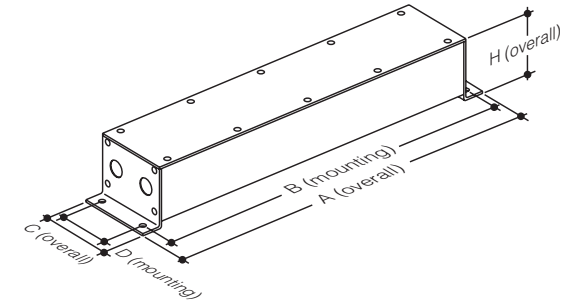


Fluorescent Remote Ballast Dimensions

Lamp Type	Ballast Type	Lamp Watts	Max. Wire Distance (1)	Overall Dimensions			Mounting Dimensions		Minimum Starting Temp.	Diagram	Notes
				Length (A)	Width (C)	Height (H)	Length (B)	Width (D)			
1 light Hex tube	Electronic	1x32, 1x42	9'	9"	4-3/16"	3-1/2"	8"	3"	0°F	1	(2)
2 light Hex tube	Electronic	2x32, 2x42	9'	9"	4-3/16"	3-1/2"	8"	3"	0°F	1	(2)
T5	Electronic	14, 21, 28, 35	18'	22"	3-3/8"	2-1/2"	21-3/16"	2"	0°F	1	(2)
T5 HO	Electronic	24, 39, 55, 80	18'	22"	3-3/8"	2-1/2"	21-3/16"	2"	0°F	1	(2)
T8	Electronic	17, 25, 32, 40	18'	13-7/8"	3-3/8"	2-1/2"	13"	2"	0°F	1	(2)
T12HO	Magnetic	45, 60, 75, 85, 110	see below	18-3/8"	4-3/16"	3-1/2"	17-3/8"	3"	-20°F	1	
T12VHO	Magnetic	110, 160, 215	see below	21"	4-3/16"	3-1/2"	20"	3"	-20°F	1	

Diagram 1



Notes:

- 1) Distance shown is for maximum one-way wire length from ballast to furthest lamp socket. Depending on the length of lamp/reflector and exit location of the wire leads, the maximum distance from luminaire to ballast will be less. See individual luminaire data pages for maximum remote ballast mounting distance.
- 2) Manufacturer/model of furnished electronic ballast(s) shall be at **elliptipar**'s discretion and shall meet or exceed the following criteria:
 - Total harmonic distortion (THD) < 10%
 - Power factor (PF) > 0.90
 - Ballast factor (BF) > 0.85
 - Current crest factor (CF) < 1.7
 - Sound rating A or better
 - ANSI, IEEE, and FCC compliant for electronic interference (EMI) and radio frequency interference (RFI)
 - UL listed or CSA certified depending upon destination
 - Minimum 3 year ballast manufacturer's limited warranty
 For a specifically named ballast manufacturer and/or model, consult your local sales representative for availability and lead time.

Remote Ballast Installation:

- Use wire rated for at least 90°C for supply connections.
- When installing more than one ballast in a common area, maintain minimum six-inch spacing between ballasts. Provide ventilation in area where ballasts are installed.



Outdoor Ballast Information

Diagram 1

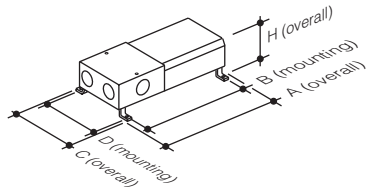


Diagram 2

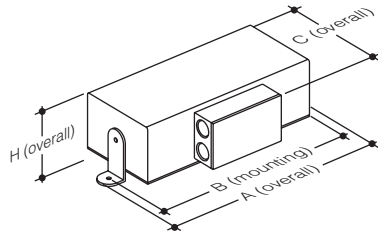


Diagram 3

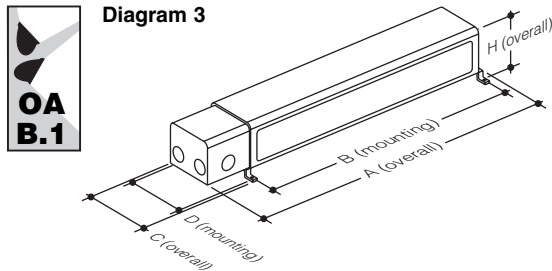
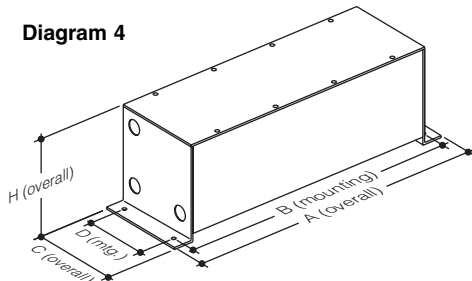


Diagram 4



Lamp Watts	Lamp Code	Voltage Code	Input Voltages	Option (4)	Ballast Type	Remote Distance	Sound Rating	Diagram	Overall Dimensions			Mounting Dim.		Notes
									L (A)	W (C)	H (H)	L (B)	W (D)	
35W	035G	1, 2	120-277V	00, V0	electronic	15' (4.5m)	A	4	13-7/8"	3-3/8"	2-5/8"	13"	2"	(1)
		1, 2	120-277V	0D, VD	electronic	15' (4.5m)	A	1	9-5/16"	4-1/2"	2-1/4"	8-1/2"	4"	(1)
		A, B	120/277V	00, V0	HX-HPF, open core and coil	10' (3m)	n/a	2	11-3/4"	5-1/4"	2-5/8"	8-7/8"	4-1/2"	(1)
		A, B	120/277V	0H, VH	HX-HPF, open core and coil	50' (15m)	n/a	2	11-3/4"	5-1/4"	2-5/8"	8-7/8"	4-1/2"	(1)
		A, B	120/277V	0D, VD	HX-HPF, encapsulated	10' (3m)	B	3	14"	4-1/2"	3"	11-1/8"	4"	(1) (2)
70W	070G	1, 2	120-277V	00, V0	electronic	15' (4.5m)	A	4	13-7/8"	3-3/8"	2-5/8"	13"	2"	(1)
		1, 2	120-277V	0D, VD	electronic	15' (4.5m)	A	1	9-5/16"	4-1/2"	2-1/4"	8-1/2"	4"	(1)
		A, B	120/277V	00, V0	HX-HPF, open core and coil	10' (3m)	n/a	2	11-3/4"	5-1/4"	2-5/8"	8-7/8"	4-1/2"	(1)
		A, B	120/277V	0H, VH	HX-HPF, open core and coil	50' (15m)	n/a	2	11-3/4"	5-1/4"	2-5/8"	8-7/8"	4-1/2"	(1)
		A, B	120/277V	0D, VD	HX-HPF, encapsulated	10' (3m)	B	3	14"	4-1/2"	3"	11-1/8"	4"	(1) (2)
150W	150G	1, 2	120-277V	00, V0	electronic	15' (1.5m)	A	4	12-5/16"	4-3/16"	3-5/8"	11-5/16"	3"	(1)
		1, 2	120-277V	0D, VD	electronic	15' (1.5m)	A	1	9-5/16"	4-1/2"	2-1/4"	8-1/2"	4"	(1)
210W	210C	U	180-305V	00, V0, 0D, VD	electronic dimming (100-50%)	30' (9m)	A	4	18-3/8"	5-1/2"	6-1/4"	17-3/16"	4"	(1)
250W	250C	A, B	120/277V	00, V0, 0D, VD	CWA, open core and coil	50' (15m)	B	4	18-3/8"	5-1/2"	6-1/4"	17-3/16"	4"	
		A, B	120/277V	00, V0, 0D, VD	CWA, open core and coil	50' (15m)	n/a	4	18-3/8"	5-1/2"	6-1/4"	17-3/16"	4"	
	U	180-305V	00, V0, 0D, VD	electronic dimming (100-50%)	15' (4.5m)	A	4	16-1/8"	4"	2-3/4"	13-7/8"	2-1/4"	(1)	
315W	315C	U	180-305V	00, V0, 0D, VD	electronic dimming (100-50%)	30' (9m)	A	4	18-3/8"	5-1/2"	6-1/4"	17-3/16"	4"	(1)
320W	320P	A, B	120/277V	00, V0, 0D, VD	CWA, open core and coil	50' (15m)	B	4	18-3/8"	5-1/2"	6-1/4"	17-3/16"	4"	
		U	180-305V	00, V0	electronic dimming (100-50%)	15' (4.5m)	A	4	16-1/8"	4"	2-3/4"	13-7/8"	2-1/4"	(1)
		U	180-305V	0D, VD	electronic dimming (100-50%)	15' (4.5m)	A	1	11-3/4"	5-1/4"	2-5/8"	8-7/8"	4-1/2"	(1)
350W	350P	A, B	120/277V	00, V0, 0D, VD	CWA, open core and coil	50' (15m)	B	4	18-3/8"	5-1/2"	6-1/4"	17-3/16"	4"	
		U	180-305V	00, V0	electronic dimming (100-50%)	15' (4.5m)	A	4	16-1/8"	4"	2-3/4"	13-7/8"	2-1/4"	(1)
		U	180-305V	0D, VD	electronic dimming (100-50%)	15' (4.5m)	A	1	11-3/4"	5-1/4"	2-5/8"	8-7/8"	4-1/2"	(1)
400W	400C	A, B	120/277V	00, V0, 0D, VD	CWA, open core and coil	50' (15m)	B	4	18-3/8"	5-1/2"	6-1/4"	17-3/16"	4"	
2 x 400W	240C	A, B	120/277V	00, V0, 0D, VD	(2) CWA, open core and coil	50' (15m)	B	4	25-3/16"	5-1/2"	6-1/4"	24-3/16"	4"	(3)

Notes:

1) 35W, 70W and 150W metal halide luminaires with remote ballast are supplied with 5' leads. If luminaire-to-ballast distance is to be greater than 5', the following precautions must be followed:

- Limit the total wire length between lamp and ballast to the maximum marked on the ballast (see chart below).
- Use UL listed / CSA certified 600V wirenuts for splices.
- Maintain a minimum 3/8" clearance between splices and grounded metal.
- Use 600V wire sized and enclosed in accordance with local and national electric codes.
- Do not run wires close to grounded metal or around sharp corners without an additional insulating sleeve over the "hot" wire (see wiring diagram on instruction sheet or ballast).

2) Maximum dimensions are shown for reference only. Exact dimensions vary with ballast manufacturer.

3) Luminaire supplied with two ballasts enclosed in a single housing.

4) See individual data page for complete explanation of option codes.

Remote Ballast Installation:

- Use wire rated for at least 90°C for supply connections.
- When installing more than one ballast in a common area, maintain minimum six-inch spacing between ballasts. Provide ventilation in area where ballasts are installed.
- When mounting to a vertical surface, mount with wire compartment down.