

Luminaire placement depends on the dimensions of the lighted surface and the lamp source to be used.

Point sources (tungsten halogen, hex tube and HID) should typically be mounted at a setback (**X**) equal to 1/4 of the throw distance (**D**), but not less than 30". On-center spacings (**Y**) range from 1-3/4 times (preferred) to 2 times (maximum) the setback. (See diagrams at right.)

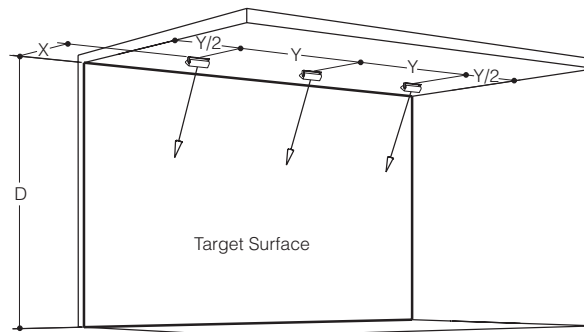
Linear sources (T5, T5HO, T12HO, and T12VHO fluorescent) are typically mounted at a setback equal to 1/8 the throw distance, but not less than 8" (T5, T8) or 18" (T5 HO, T12HO/VHO).

Dimension Key:

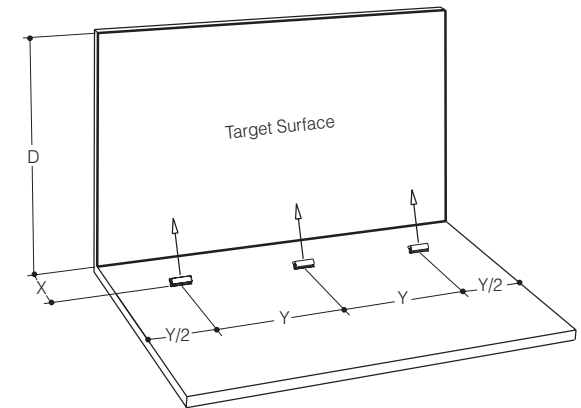
- D** = Target surface dimension
- X** = Setback from target surface to lamp center
- Y** = On-center spacing

See page I-1.0 in the Indoor Applications section for a complete discussion of recommended aiming and placement of **elliptipar** luminaires.

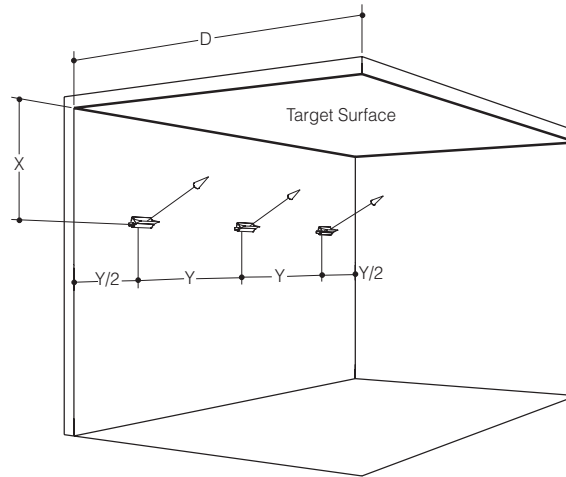
Placement - Washing Down a Vertical Surface



Placement - Washing Up a Vertical Surface



Placement - Uplighting a Horizontal Surface



Placement - Washing Across a Horizontal Surface

